

## Specification sheet LX1982

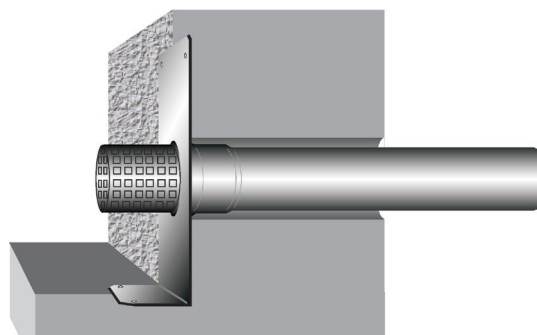
### Parapet drainage VARIO upstand spout for bending on site

#### Emergency drainage

#### Gravity flow

#### Silent

<b>Discharge rate:</b>	<b>0,4 l/sec</b>
<b>Water height:</b>	<b>35 mm</b>
<b>Roof penetration:</b>	<b>0 mm</b>
<b>Diameter:</b>	<b>DN 40</b>
<b>LX-Number:</b>	<b>LX1982</b>
<b>Weir height:</b>	<b>-</b>
<b>Drain:</b>	<b>ventilated</b>
<b>Downpipe:</b>	<b>ventilated</b>
<b>Downpipe height:</b>	<b>-</b>
<b>Drainage:</b>	<b>on floor</b>
<b>Flange form:</b>	<b>Bonding flange</b>

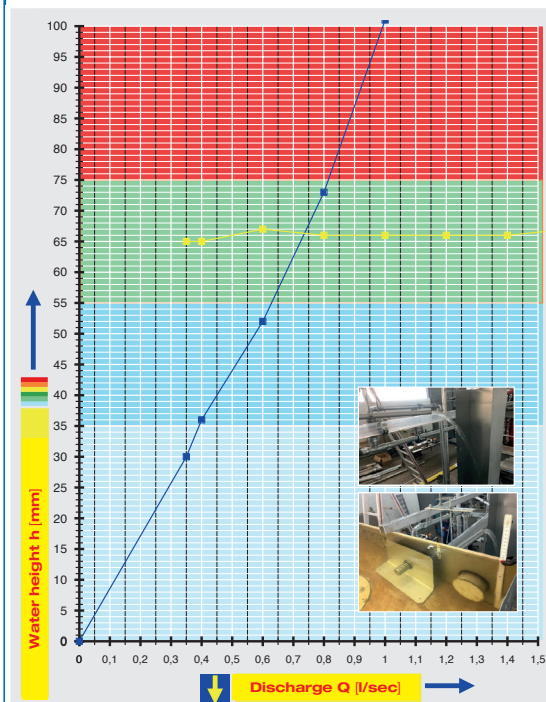


Note:  
In this measurement, the point of origin of the flow graph is equal to the bottom edge of the pipe.

#### LX1982 Piece list

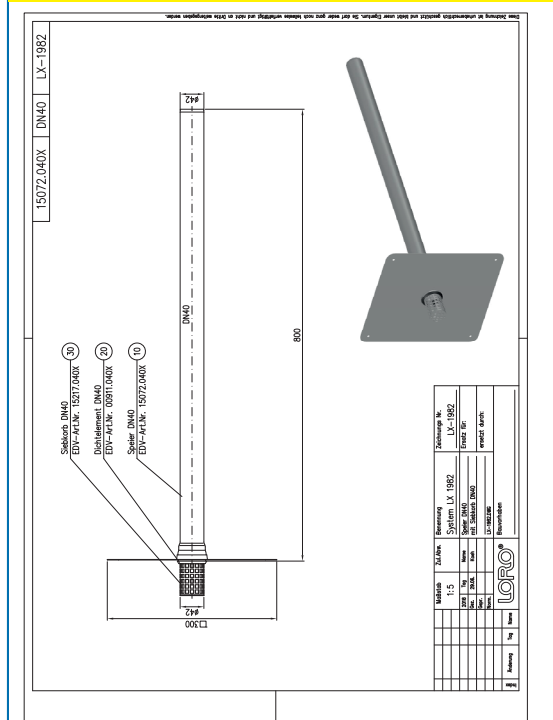
- 1 x Art.-No. 15072.040X, LORO-X VARIO upstand Spout
- 1 x Art.-No. 15217.040X, LORO-X Strainer basket
- 1 x Art.-No. 00911.040X, LORO-X Sealing element
- 1 x Art.-No. 00986.000X, LORO-X Lubricant

#### hQ - Head-Discharge curve



#### Systempower

#### CAD



#### Systemshape

<b>Water height</b>	mm	10	15	20	25	30	<b>35</b>	40	45	50	55	60	65	70	75	80	85	90	95
<b>Discharge</b>	l/sec					0,35	<b>0,4</b>	0,45	0,5	0,55	0,6	0,7	0,7	0,75	0,8	0,85	0,9	0,95	0,95
						<b>Silent</b>													

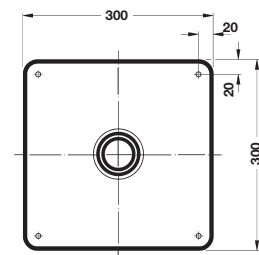
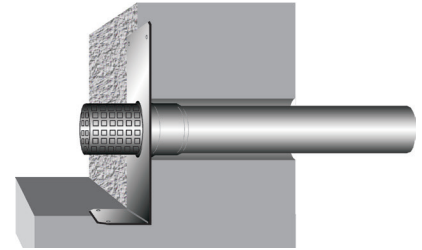
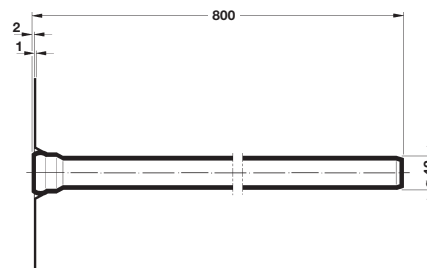
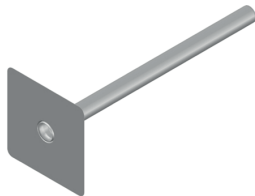
## LORO-X VARIO upstand spout, for bending on site

DN 40

### LX1982-20X

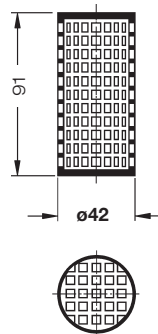
Drain Art.-No. 15072.040X  
Weight: 1,5 kg

**VARIO upstand**  
for bending on site



### LORO-X Strainer basket

Art.-No. 15217.040X



**Heat tracing:** Lorowerk recommends to check all drains and pipes with regard to their frost-sensibility. Where necessary, these parts should be upgraded with heat tracing.